



MADE IN AUSTRIA



TWIST EXTRA LOW VOLTAGE

Protective extra-low-voltage is a preventive measure for use under extreme conditions. The rated voltage (AC) is limited by **max. 50V**.

Special working conditions like conductive environment in or on boilers, pipelines, containers, metal frames or limited freedom of motion require the use of extra-low-voltage plugs and sockets.

The new **"Twist" extra-low-voltage** series provides a **complete range of plugs, connectors and flanged sockets** which meet all installation requirements, specially developed for use on building sites, shipyards and in factories. Connecting the cable is fast and reliable! No tools are needed for the assembly of the cable gland and the housing!



- 16A and 32A
- IP44, IP44/54 and IP67, IP66/67
- Plug, connector and sockets
- 2p and 3p
- 24V and 42V
- DC, 50/60Hz, 100 to 500 Hz

Advantages:

- easy fitting by twist-lock action
- simply unlock and twist to open
- TWIST screwless cable gland for very userfriendly, quick and easy assembly
- fast cable installation
- strain relief and sealing of the cable by tightening the cable-lock gland
- maximum cable security and 100% seal
- ample connection space
- nickel-plated contacts
- multi-ramp quick-lock system



open contacts
screws



assembly
without tool



simple
dismantling

for cable diameters from \varnothing 9,5 to \varnothing 24mm

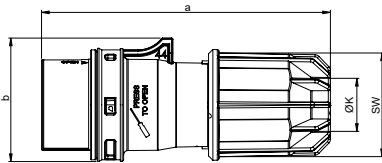


Extra-low voltage – plugs and sockets

Protective extra-low voltage

is a preventive measure for use under extreme conditions, the rated voltage (AC) is limited by max. 50V.

Special working conditions (conductive environment) e.g. in or on boilers, pipelines, containers, metal frames or limited freedom of motion require the use of extra-low voltage plugs and sockets.

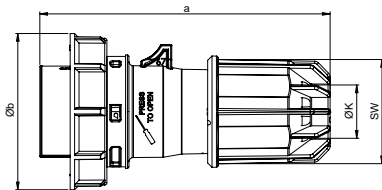


Plug IP44 TWIST

	16 Amp		32 Amp	
	2	3	2	3
Poles	2	3	2	3
a [mm]	135	135	135	135
b [mm]	57	57	57	57
K_cable Ø [mm]	9,5-24	9,5-24	9,5-24	9,5-24
Wire flexible [mm²]				1-10
Contact screws [Ncm]				160
SW [mm]				48
Weight [g]	138	154	138	154

- with screw terminals
- housing material: PA6
- contacts: nickel-plated contacts

IP44 splashproof

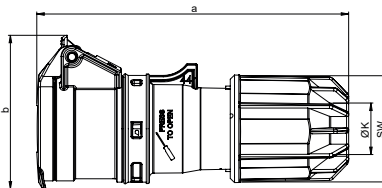


Plug IP67 TWIST

	16 Amp		32 Amp	
	2	3	2	3
Poles	2	3	2	3
a [mm]	135	135	135	135
b [mm]	71	71	71	71
K_cable Ø [mm]	9,5-24	9,5-24	9,5-24	9,5-24
Wire flexible [mm²]				1-10
Contact screws [Ncm]				160
SW [mm]				48
Weight [g]	163	181	163	181

- with screw terminals
- housing material: PA6
- contacts: nickel-plated contacts

IP67 watertight

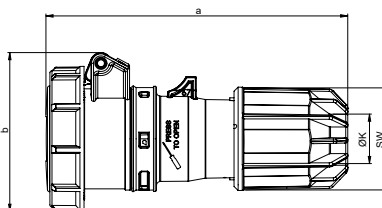


Connector IP44 TWIST

	16 Amp		32 Amp	
	2	3	2	3
Poles	2	3	2	3
a [mm]	150	150	150	150
b [mm]	75	75	75	75
K_cable Ø [mm]	9,5-24	9,5-24	9,5-24	9,5-24
Wire flexible [mm²]				1-10
Contact screws [Ncm]				160
SW [mm]				48
Weight [g]	177	196	177	196

- with screw terminals
- housing material: PA6
- contacts: nickel-plated contacts

IP44 splashproof



Connector IP67 TWIST

	16 Amp		32 Amp	
	2	3	2	3
Poles	2	3	2	3
a [mm]	150	150	150	150
b [mm]	78	78	78	78
K_cable Ø [mm]	9,5-24	9,5-24	9,5-24	9,5-24
Wire flexible [mm²]				1-10
Contact screws [Ncm]				160
SW [mm]				48
Weight [g]	203	214	203	214

- with screw terminals
- housing material: PA6
- contacts: nickel-plated contacts

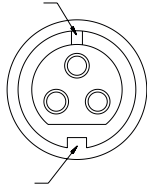
IP67 watertight

Amp.	Poles	pack. unit	24V~	42V~	24/42V~	24/42V~	24/42V~	24/42V~	24/42V=
			50/60Hz without minor key	50/60Hz	100-200Hz	300Hz	400Hz	401-500Hz	DC
			12h	4h	2h	3h	11h	10h	
			Cat.No.	Cat.No.	Cat.No.	Cat.No.	Cat.No.	Cat.No.	Cat.No.

Examples:

View: socket (front)

Minor key
3 pol.



Major key
3 pol.

For extra-low voltage a minor key is used to distinguish voltage and frequency- see table.

Rated Voltage- V	Frequency- Hz	Clockwise position		Color acc. to EN 60309
		2P	3P	
20- 25	50 / 60	without Minor key	without Minor key	Violet
40- 50	50 / 60	12	12	White
20- 25 and 40- 50	100- 200	4	4	Green
	300	2	2	Green
	400	3	3	Green
20- 25 and 40- 50	> 400- 500	11	11	Green
20- 25 and 40- 50	DC	10	-	White

16	2	10	062v	082-12v	082-4v	082-2v	082-3v	082-11v	082-10v
	3	10			083-4v	083-2v	083-3v	083-11v	
32	2	10	072v	092-12v	092-4v	092-2v	092-3v	092-11v	092-10v
	3	10			093-4v	093-2v	093-3v	093-11v	



083-3v

16	2	10	0622v	0822-12v	0822-4v	0822-2v	0822-3v	0822-11v	0822-10v
	3	10			0832-4v	0832-2v	0832-3v	0832-11v	
32	2	10	0722v	0922-12v	0922-4v	0922-2v	0922-3v	0922-11v	0922-10v
	3	10			0932-4v	0932-2v	0932-3v	0932-11v	



0622v

16	2	10	262v	282-12v	282-4v	282-2v	282-3v	282-11v	282-10v
	3	10			283-4v	283-2v	283-3v	283-11v	
32	2	10	272v	292-12v	292-4v	292-2v	292-3v	292-11v	292-10v
	3	10			293-4v	293-2v	293-3v	293-11v	



282-4v

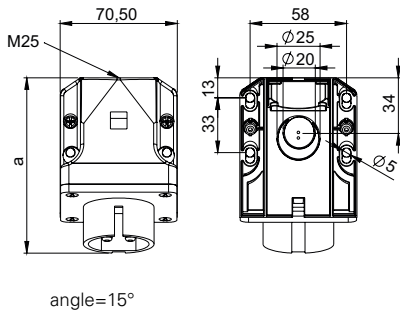
16	2	10	2622v	2822-12v	2822-4v	2822-2v	2822-3v	2822-11v	2822-10v
	3	10			2832-4v	2832-2v	2832-3v	2832-11v	
32	2	10	2722v	2922-12v	2922-4v	2922-2v	2922-3v	2922-11v	2922-10v
	3	10			2932-4v	2932-2v	2932-3v	2932-11v	



2622v

Information icons: 'i', a 3-pole socket icon, a 2P icon, a red circle with a white 'i', a 3-pole socket icon, a lightning bolt icon, a microphone icon, a 3-pole socket icon, a game controller icon, a lightbulb icon, a 3-pole socket icon, and a '#' symbol.

Extra-low voltage – plugs and sockets

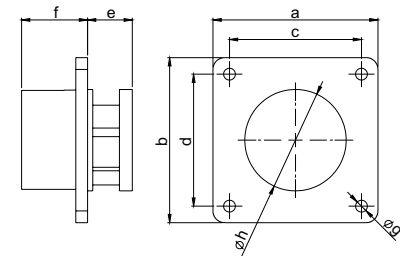


Wall mounted plug IP44

	16 Amp		32 Amp	
	2	3	2	3
Poles	2	3	2	3
a [mm]	106	106	106	106
Height [mm]	77	77	77	77
M [mm]	25	25	25	25
Wire flexible [mm ²]	4-10			
Wire solid [mm ²]	4-10			
Contact screws [Ncm]	110			
Weight [g]	182	194	182	194

- with screw terminals
- housing material: PA6
- contacts: nickel-plated
- top and rear entry
- incl. threaded cable grommet

IP44 splashproof

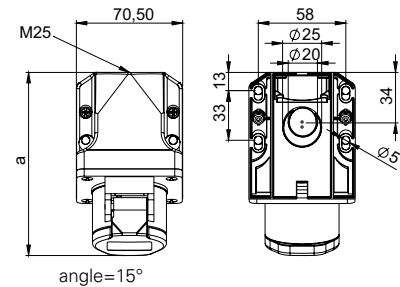


Flanged plug straight IP44

	16 Amp		32 Amp	
	2	3	2	3
Poles	2	3	2	3
Flange a x b [mm]	70	70	70	70
Fixing center c x d [mm]	56	56	56	56
e [mm]	19	19	19	19
f [mm]	28	28	28	28
g [mm]	5	5	5	5
h [mm]	43	43	43	43
Wire flexible [mm ²]	4-10			
Wire solid [mm ²]	4-10			
Contact screws [Ncm]	110			
Weight [g]	74	86	74	86

- with screw terminals
- housing material: PA6
- contacts: nickel-plated
- According to EN 60309:
For correct use a locking device has to be provided (see page 10)

IP44 splashproof

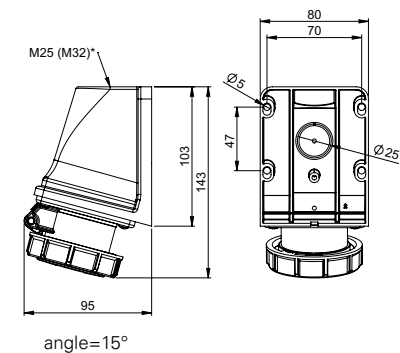


Wall socket IP44

	16 Amp		32 Amp	
	2	3	2	3
Poles	2	3	2	3
a [mm]	124	124	124	124
Height [mm]	91	91	91	91
M [mm]	25	25	25	25
Wire flexible [mm ²]	1-10			
Wire solid [mm ²]	1,5-10			
Contact screws [Ncm]	160			
Weight [g]	207	227	207	227

- with screw terminals
- housing material: PA6
- contacts: nickel-plated
- top and rear entry
- incl. threaded cable grommet

IP44 splashproof



Wall socket IP66/67

	16 Amp		32 Amp	
	2	3	2	3
Poles	2	3	2	3
a [mm]	143	143	143	143
Height [mm]	95	95	95	95
M [mm]	25	25	25	25
Wire flexible [mm ²]	1-10			
Wire solid [mm ²]	1,5-10			
Contact screws [Ncm]	160			
Weight [g]	244	244	244	244

- with screw terminals
- housing material: PA6
- contacts: nickel-plated
- top and rear entry
- incl. threaded bung

IP66/67 watertight

* Option: M32

Amp.	Poles	pack. unit	24V~	42V~	24/42V~	24/42V~	24/42V~	24/42V~	24/42V=
			50/60Hz without minor key	50/60Hz 12h	100-200Hz 4h	300Hz 2h	400Hz 3h	401-500Hz 11h	DC 10h
			Cat.No.	Cat.No.	Cat.No.	Cat.No.	Cat.No.	Cat.No.	Cat.No.

16	2	10	562v	582-12v	582-4v	582-2v	582-3v	582-11v	582-10v
16	3	10	563v	583-12v	583-4v	583-2v	583-3v	583-11v	
32	2	10	572v	592-12v	592-4v	592-2v	592-3v	592-11v	592-10v
32	3	10	573v	593-12v	593-4v	593-2v	593-3v	593-11v	



582-12v

with flange 70 x 70 - fixing center 56 x 56

16	2	10	662v	682-12v	682-4v	682-2v	682-3v	682-11v	682-10v
16	3	10	663v	683-12v	683-4v	683-2v	683-3v	683-11v	
32	2	10	672v	692-12v	692-4v	692-2v	692-3v	692-11v	692-10v
32	3	10	673v	693-12v	693-4v	693-2v	693-3v	693-11v	



682-12v

16	2	10	162v	182-12v	182-4v	182-2v	182-3v	182-11v	182-10v
16	3	10	163v	183-12v	183-4v	183-2v	183-3v	183-11v	
32	2	10	172v	192-12v	192-4v	192-2v	192-3v	192-11v	192-10v
32	3	10	173v	193-12v	193-4v	193-2v	193-3v	193-11v	



162v

16	2	10	1622v	1822-12v	1822-4v	1822-2v	1822-3v	1822-11v	1822-10v
16	3	10	1632v	1832-12v	1832-4v	1832-2v	1832-3v	1832-11v	
32	2	10	1722v	1922-12v	1922-4v	1922-2v	1922-3v	1922-11v	1922-10v
32	3	10	1732v	1932-12v	1932-4v	1932-2v	1932-3v	1932-11v	



1922-4v

Information icons: i, smiley face, power, ID, speech bubble, person, microphone, keyboard, game controller, lightbulb, car, hash symbol.

Extra-low voltage – plugs and sockets

Extra-low voltage: flanged sockets straight 16/32A, 2p/3p, <50V

- with screw terminals
- housing material: PA6
- contacts: nickel-plated



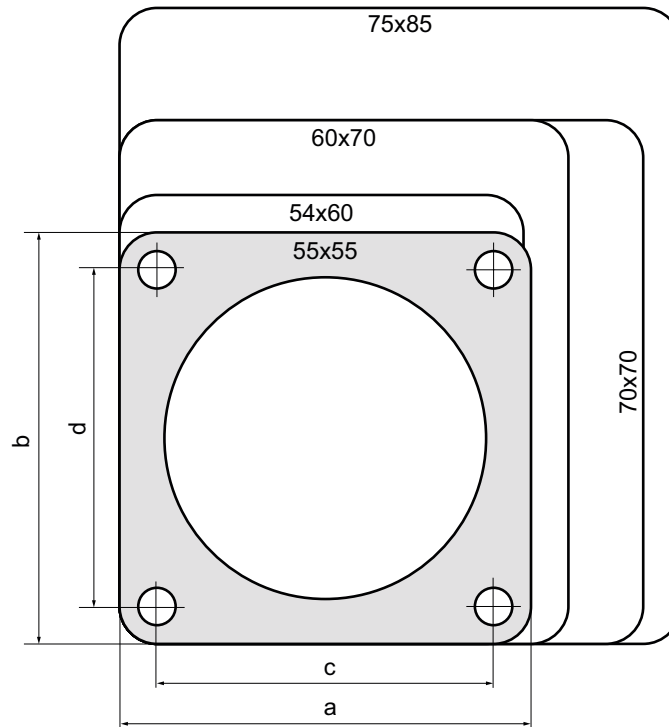
ADVANTAGES:

- reinforced lid
- **one-piece housing**
- bigger terminal connection area
- 6 different flanges available (others on request)
- **IP44/54** dust- & splashproof or **IP66/67** watertight



Flanged socket straight

Dimensions:



Versions:

Flange		Fixing center		Page	16A		32A	
a	b	c	d	#	2p	3p	2p	3p
54	60	44	44	132-133	IP44	IP44	IP44	IP44
				134-135	IP67	IP67	IP67	IP67
55	55	41	41	132-133	IP44	IP44	IP44	IP44
55	55	45	45	132-133	IP44	IP44	IP44	IP44
60	70	47	53	132-133	IP44	IP44	IP44	IP44
70	70	56	56	132-133	IP44	IP44	IP44	IP44
75	85	60	60	132-133	IP44	IP44	IP44	IP44
				134-135	IP67	IP67	IP67	IP67

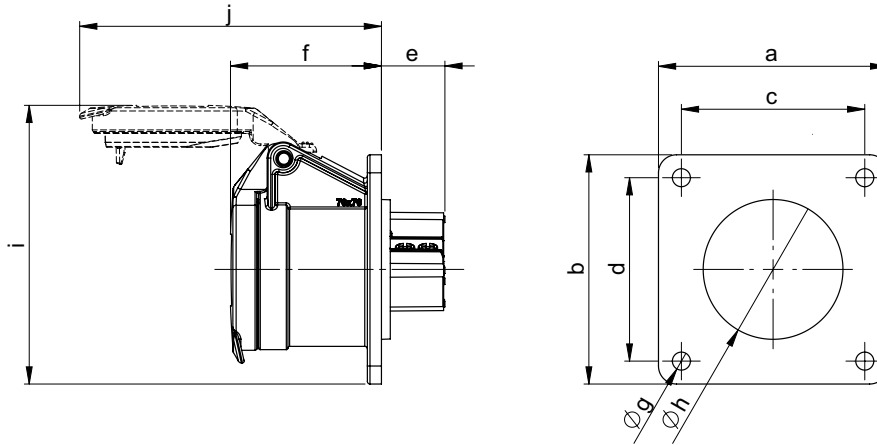


Extra-low voltage – plugs and sockets

Flanged socket straight IP44/54

- with screw terminals
- housing material: PA6
- contacts: nickel-plated
- reinforced lid
- large connection area

IP44/54 dust- & splashproof



Flange		Fixing center		Amp	Poles	e	f	Ø g	Ø h	i	j	Weight [g]
a	b	c	d									
54	60	44	44	16	2	19	47	5,5	43	81	93	112
				3	132							
				2	112							
				3	132							
55	55	41	41	16	2	19	47	4,5	43	79	93	110
				3	128							
				2	110							
				3	128							
55	55	45	45	16	2	19	47	4,5	43	79	93	110
				3	132							
				2	110							
				3	132							
60	70	47	53	16	2	19	47	5,5	43	86	93	112
				3	130							
				2	112							
				3	130							
70	70	56	56	16	2	19	47	5,5	43	86	93	120
				3	140							
				2	120							
				3	140							
75	85	60	60	16	2	19	47	5,5	43	93	93	125
				3	145							
				2	125							
				3	145							

- Connection type: Screw terminal
- Wire flexible: 1-10 mm²
- Wire solid: 1,5-10 mm²
- Contact screws: 160 Ncm

Flange (Fixing center)	Amp.	Poles	24V~	42V~	24/42V~	24/42V~	24/42V~	24/42V~	24/42V=
			50/60Hz without minor key	50/60Hz 12h	100-200Hz 4h	300Hz 2h	400Hz 3h	401-500Hz 11h	DC 10h
			Cat.No.	Cat.No.	Cat.No.	Cat.No.	Cat.No.	Cat.No.	Cat.No.

54 x 60 (44 x 44)	16	2	362f9v	382-12f9v	382-4f9v	382-2f9v	382-3f9v	382-11f9v	382-10f9v
	16	3	363f9v	383-12f9v	383-4f9v	383-2f9v	383-3f9v	383-11f9v	
	32	2	372f9v	392-12f9v	392-4f9v	392-2f9v	392-3f9v	392-11f9v	392-10f9v
	32	3	373f9v	393-12f9v	393-4f9v	393-2f9v	393-3f9v	393-11f9v	



55 x 55 (41 x 41)	16	2	362f4v	382-12f4v	382-4f4v	382-2f4v	382-3f4v	382-11f4v	382-10f4v
	16	3	363f4v	383-12f4v	383-4f4v	383-2f4v	383-3f4v	383-11f4v	
	32	2	372f4v	392-12f4v	392-4f4v	392-2f4v	392-3f4v	392-11f4v	392-10f4v
	32	3	373f4v	393-12f4v	393-4f4v	393-2f4v	393-3f4v	393-11f4v	



55 x 55 (45 x 45)	16	2	362f5v	382-12f5v	382-4f5v	382-2f5v	382-3f5v	382-11f5v	382-10f5v
	16	3	363f5v	383-12f5v	383-4f5v	383-2f5v	383-3f5v	383-11f5v	
	32	2	372f5v	392-12f5v	392-4f5v	392-2f5v	392-3f5v	392-11f5v	392-10f5v
	32	3	373f5v	393-12f5v	393-4f5v	393-2f5v	393-3f5v	393-11f5v	



60 x 70 (47 x 53)	16	2	362f8v	382-12f8v	382-4f8v	382-2f8v	382-3f8v	382-11f8v	382-10f8v
	16	3	363f8v	383-12f8v	383-4f8v	383-2f8v	383-3f8v	383-11f8v	
	32	2	372f8v	392-12f8v	392-4f8v	392-2f8v	392-3f8v	392-11f8v	392-10f8v
	32	3	373f8v	393-12f8v	393-4f8v	393-2f8v	393-3f8v	393-11f8v	



70 x 70 (56 x 56)	16	2	362v	382-12v	382-4v	382-2v	382-3v	382-11v	382-10v
	16	3	363v	383-12v	383-4v	383-2v	383-3v	383-11v	
	32	2	372v	392-12v	392-4v	392-2v	392-3v	392-11v	392-10v
	32	3	373v	393-12v	393-4v	393-2v	393-3v	393-11v	



75 x 85 (60 x 60)	16	2	362f87v	382-12f87v	382-4f87v	382-2f87v	382-3f87v	382-11f87v	382-10f87v
	16	3	363f87v	383-12f87v	383-4f87v	383-2f87v	383-3f87v	383-11f87v	
	32	2	372f87v	392-12f87v	392-4f87v	392-2f87v	392-3f87v	392-11f87v	392-10f87v
	32	3	373f87v	393-12f87v	393-4f87v	393-2f87v	393-3f87v	393-11f87v	



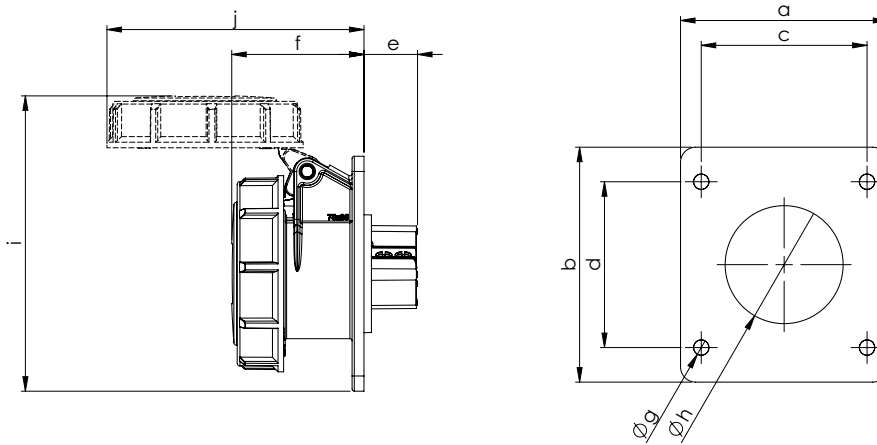
-
-
-
-
-
-
-
-
-
-
-
-

Extra-low voltage – plugs and sockets

Flanged socket straight IP66/67

- with screw terminals
- housing material: PA6
- contacts: nickel-plated
- closing lid
- large connection area

IP66/67 watertight



Flange		Fixing center		Amp	Poles	e	f	Ø g	Ø h	i	j	Weight [g]										
a	b	c	d																			
54	60	44	44	16	2	19	48	5,5	43	95	93	130										
					3							156										
				32	2							130										
					3							156										
				75	85							60	60	16	2	19	48	5,5	43	107	93	137
															3							156
32	2	137																				
	3	156																				

- Connection type: Screw terminal
- Wire flexible: 1-10 mm²
- Wire solid: 1,5-10 mm²
- Contact screws: 160 Ncm

Flange (Fixing center)	Amp.	Poles	24V~	42V~	24/42V~	24/42V~	24/42V~	24/42V~	24/42V=
			50/60Hz without minor key	50/60Hz 12h	100-200Hz 4h	300Hz 2h	400Hz 3h	401-500Hz 11h	DC 10h
			Cat.No.	Cat.No.	Cat.No.	Cat.No.	Cat.No.	Cat.No.	Cat.No.

54 x 60 (44 x 44)	16	2	3622f9v	3822-12f9v	3822-4f9v	3822-2f9v	3822-3f9v	3822-11f9v	3822-10f9v
	16	3	3632f9v	3832-12f9v	3832-4f9v	3832-2f9v	3832-3f9v	3832-11f9v	
	32	2	3722f9v	3922-12f9v	3922-4f9v	3922-2f9v	3922-3f9v	3922-11f9v	3922-10f9v
	32	3	3732f9v	3932-12f9v	3932-4f9v	3932-2f9v	3932-3f9v	3932-11f9v	



75 x 85 (60 x 60)	16	2	3622f87v	3822-12f87v	3822-4f87v	3822-2f87v	3822-3f87v	3822-11f87v	3822-10f87v
	16	3	3632f87v	3832-12f87v	3832-4f87v	3832-2f87v	3832-3f87v	3832-11f87v	
	32	2	3722f87v	3922-12f87v	3922-4f87v	3922-2f87v	3922-3f87v	3922-11f87v	3922-10f87v
	32	3	3732f87v	3932-12f87v	3932-4f87v	3932-2f87v	3932-3f87v	3932-11f87v	



-
-
-
-
-
-
-
-
-
-
-
-